



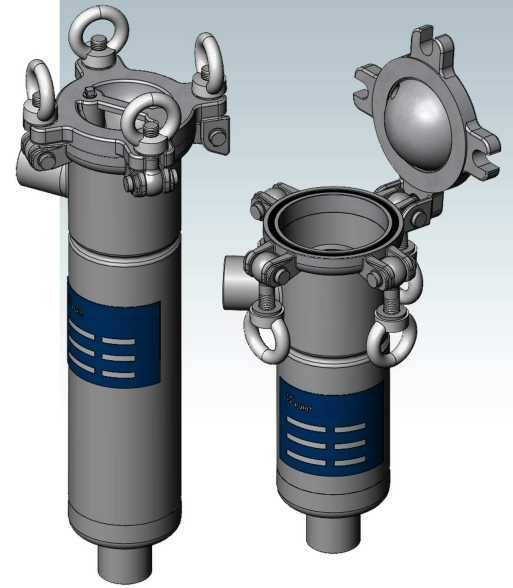
## Type ALSI3-B / ALSI4-B

### Bag filter housing

The filter housing series ALSI3-B / ALSI4-B are welded stainless steel constructions to install a filter bag size 3 (0,10 m<sup>2</sup>) or size 4 (0,15 m<sup>2</sup>).

The vertical cylindric vessel is equipped with dished boiler head at the bottom and casted head. The casted lid is equipped with eye-bolts and ring nuts. The filter bags certainly fixed by a downholder to provide an optimum sealing without any bypass.

The support basket provides a pressure-safe support of the filter bag.

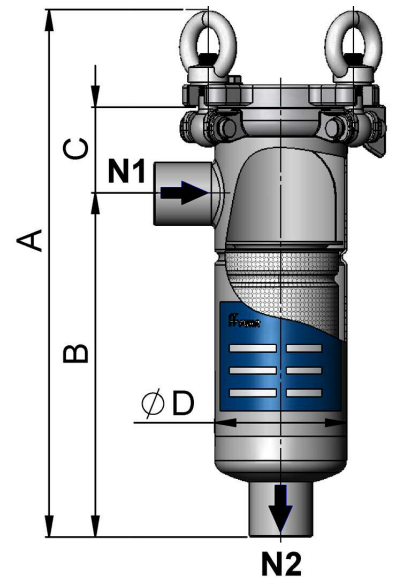


#### TECHNICAL DATA

ALSI3-B / ALSI4-B

Inlet- and Outlet connection (N1/N2)	Rp 1 1/2" (DIN 2999 / BSP)
Vent, Pressure Gauge (N3)	Rp 1/4" (DIN 2999 / BSP)
Material	AISI 304 (1.4301) or AISI 316 (1.4401)
Gasket	O-ring FPM*
Max. Pressure	20 bar
Max. Temperature	-10/+90°C

\* other gasket materials are possible



#### ORDERING INFORMATIONS OF FILTER HOUSINGS

ALSI3-B / ALSI4-B

### ALSI 3-20/G40-B2

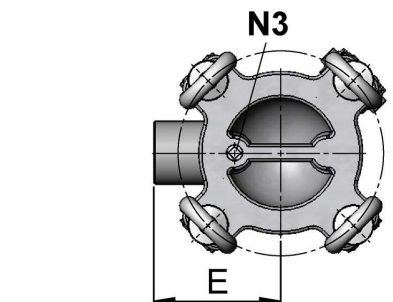
**Housing type**  
ALSI = Bag filter-sidelineer

**Bag filter size**  
3 = size 3, ca. 0,10 m<sup>2</sup>  
4 = size 4, ca. 0,15 m<sup>2</sup>

**Material**  
B2 = AISI 304 (1.4301)  
B4 = AISI 316 (1.4401)

**Connection**  
G40 = Bushing Rp 1 1/2"  
DIN 2999 / BSP

**Pressure**  
20 = 20 bar



#### CONSTRUCTION

- Declaration of conformity acc. DGRL 2014/68/EU • Classification acc. Art.4, Paragraph 3
- Approved for the operation with fluids only of group 2 (not dangerous)

#### DIMENSIONS

vessel type	filter area (m <sup>2</sup> )	connection in/out (N1/N2)	A (mm)	B (mm)	C (mm)	D (mm)	E (mm)
ALSI3-20/G40...	~0,10	Rp 1 1/2"	458	299 ±5	75	ø114,3	~110
ALSI4-20/G40...	~0,15	Rp 1 1/2"	613	454 ±5	75	ø114,3	~110

Subject to technical alterations.  
AL1083-01-E